

## Canon Outlet Configuration Chart



### NEMA 5-15R

Dedicated 115 VAC (+/- 10%)  
15 amps maximum  
60-Hertz Single phase  
3 Wire with dedicated ground

Applicable Digital QC Device  
120Volt 15Amp  
Item #0287V675

Canon iR1023/1023i/1023iF  
Canon iR1025/1025N/1025iF  
Canon iR1310/1330/1370F  
Canon iR1630/1670F  
Canon iR1600/2000/2010F  
Canon iR2016/2016i/2018/2018i  
Canon iR2020/2020i/2022/2022i  
Canon iR2025i/2030i  
Canon iR210/330/400  
Canon iR2200/2800/3300(i, E, EN)  
Canon iR2220(i)/3320(i)  
Canon iR2230/2830/3530  
Canon iR2270/2870/3570/4570  
Canon iR2525/2530/2535/2545  
Canon iR3025/3030/3035/3045  
Canon iR3225/3230/3235/3245/3235i/3245i  
**Canon iRC1030/1030iF**  
Canon iRC1022/1022i  
Canon iRC2050/2058  
Canon iRC3100/3170i/3170U  
Canon iRC3200/3220/2620  
Canon iRC3380/3380i/2880/2880i  
Canon iRC4580/4080  
Canon CLC900/950  
Canon CLC1100/1120/1140  
Canon CLC1150/1180  
All imagePROGRAFS



### NEMA 5-20R

Dedicated 115 VAC (+/- 10%)  
20 amps maximum  
60-Hertz Single phase  
3 Wire with dedicated ground

Applicable Digital QC Device  
120Volt 20Amp  
Item #0287V676

Canon iR550/60/600  
Canon iR5000(i)/6000(i)  
Canon iR5020(i)/6020(i)  
Canon iR5070/5570/6570  
Canon iR5055/5065/5075  
Canon iRC5068/6068  
Canon iRC6800/iRC5800  
Canon iRC6870/iRC5870  
Canon iRC6870U/iRC5870U  
Canon iRC5180  
Canon iRC5185/iRC5185i

imagePRESS C1 (requires 2 separate dedicated outlets per machine)  
(\*actually requires 1 15amp & 1 20amp, but it is easier to tell the customer to have 2, 20amp circuits available)

(if iP C1 has a Paper Deck-AA1 it will need a separate NEMA 5-15R)

(if iP C1 has an iP Server Q1 or T1 it will need a separate NEMA 5-15R)



## NEMA 6-15R

Dedicated 208VAC (+/- 10%)  
15 amps maximum  
60-Hertz Single phase  
3 Wire with dedicated ground

Applicable Digital QC Device  
208Volt 15Amp  
Item #0287V677

Canon NP6085/6285/7850  
Canon iR7200  
Canon iR8070  
Canon iR8500/iR85/85+  
Canon iR9070  
Canon iR105/105+  
Canon CLC4000/5100 (requires 2 separate dedicated outlets per machine)

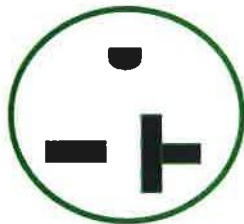
Canon iR7086/7095/7105 (only needs 1 outlet)

Canon iR7086/7095/7105 V2 (only needs 1 outlet)

Trimmer and/or Professional Puncher requires a separate NEMA 6-15R (208V)

Perfect Binder-A1 requires a separate NEMA 6-15R (208V)

High Capacity Stacker-A1 requires a separate NEMA 5-15R (120V)



## NEMA 6-20R

Dedicated 208 VAC (+/- 10%)  
20 amps maximum  
60-Hertz Single phase  
3 Wire with dedicated ground

Applicable Digital QC Device  
208Volt 20Amp  
Item #0287V678

Canon CLC1000  
Canon CLC2400  
Canon CLC3100  
Canon CLC5000/3900  
Canon CLC5000+/3900+

Nagle Finisher \*(requires own outlet)



## imagePRESS C7000VP/6000VP



**iPC7000VP**  
**iPC6000VP**



**NEMA L21-30R**  
Dedicated 208 VAC (+/- 10%) 30amp  
4-Pole, 5-Wire  
3 Phase Y 208 Volts

Applicable Digital QC Device  
208Volt 3 Phase 30A  
Item #1275V713

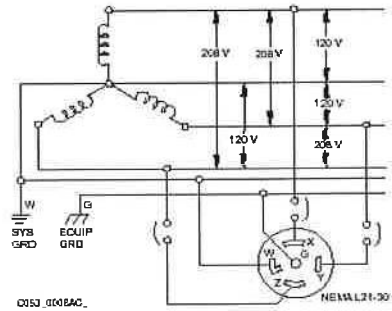


Figure 3-1 YConnected 3 PH 120/208 V, 30 A

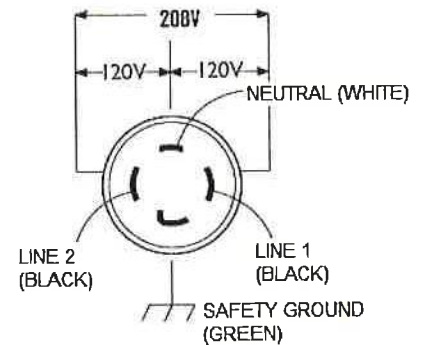
## imagePRESS C6000

**iPC6000**



**NEMA L14-30R**  
Dedicated 208 VAC (+/- 10%) 30amp  
Single Phase 4-Wire

Applicable Digital QC Device  
208Volt Single Phase 30A  
Item #1338V911



imagePRESS C7000VP Accessories

- Finisher requires 208V NEMA 6-15R
- POD requires 208V NEMA 6-15R
- Stacker requires 115V NEMA 5-15R

(if iPC7000VP has an imagePRESS Server A1100/2000/2100/3000/3100 it will need a separate NEMA 5-15R)

## imagePRESS C7010VP/C6010VP



**iPC7010VP**  
**iPC6010VP**



**NEMA L21-30R**  
Dedicated 208 VAC (+/- 10%) 30amp  
4-Pole, 5-Wire  
3 Phase Y 208 Volts

Applicable Digital QC Device  
208Volt 3 Phase 30A  
Item #1275V713

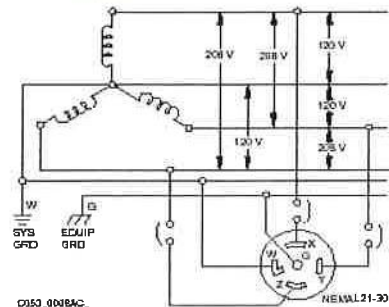
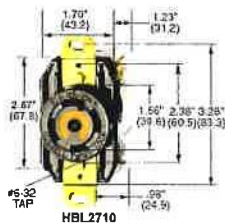


Figure 3-1 Y-Connected 3 PH 120/208 V, 30 A

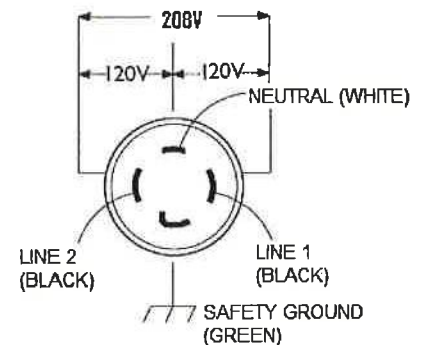
## imagePRESS C6010

**iPC6010**



**NEMA L14-30R**  
Dedicated 208 VAC (+/- 10%) 30amp  
Single Phase 4-Wire

Applicable Digital QC Device  
208Volt Single Phase 30A  
Item #1338V911



imagePRESS C7010VP/C6010VP Accessories requires a separate 120V NEMA 5-15R

Finisher AJ/Saddle Finicher AJ2  
Stacker-CI requires  
Pro-Puncher B1/Integration Unit A1  
2-Knife Trimmer A1

(if iPC7010VP has an imagePRESS Server A1100/2000/2100/3000/3100 it will need a separate NEMA 5-15R)

imagePRESS C7010VP/C6010VP Accessories requires a separate 208V NEMA 6-15R

SecondaryPOD Deck A1  
Preferct Binder B1





## iR 110/110MICR/iR 150 Pro+/iR125-150VP/7100VP Series Accessories Electrical Outlet Configuration



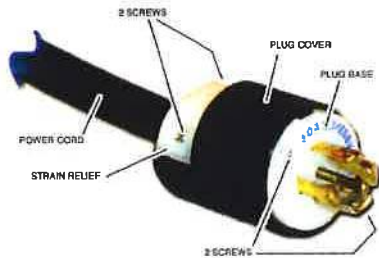
Receptacle

### **NEMA L21-30R** (Hubbell 2811 Twist Lock Plug)

#### **Requires 1**

Dedicated 208VAC +/- 10%  
30 Amps Maximum  
60 Hertz 3 Phase  
5 Wires Dedicated Ground

iR 110  
iR 110MICR  
iR 150 Pro+  
iR 125VP/150VP  
iR 7100V Series  
**(iR7110VP/7125VP/7138VP/7150VP)**  
Perfect Binder Requires an additional  
NEMA L21-30R Receptacle  
(Must order 2H5885 Power Cord)



Plug

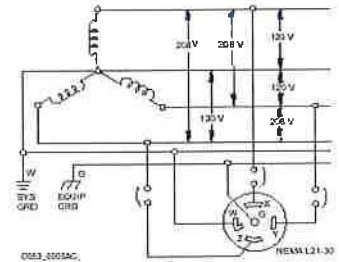


Figure 3-1 Y Connected 3 PH 120/208 V, 30 A



Receptacle

### **NEMA 5-15R**

Dedicated 115 VAC +/- 10%  
15 Amps Maximum  
60 Hertz Single Phase  
3 Wire Dedicated Ground

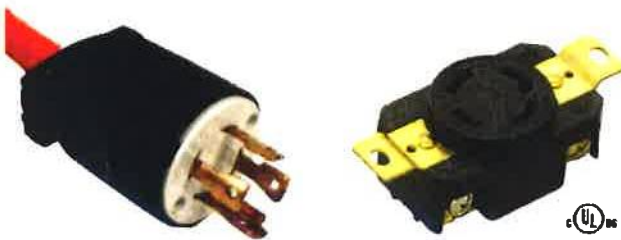
Each Accessory requires a separate receptacle:  
Stacker, Booklet Maker  
HPI Box, UPS, Accufast Stacker  
BPRF Unit, Puncher  
65 PPM & Xerox 620 Scanners



Plug

**NOTE:** Inserter, Paper Supply Module & Finisher Receive Power Directly from Marking Engine

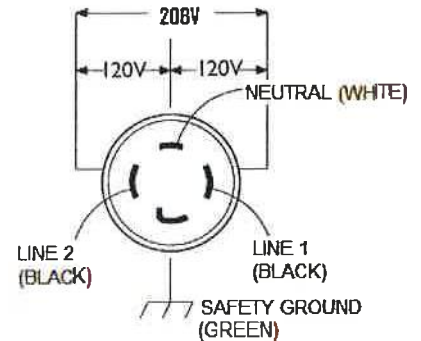
### imagePRESS 1135P/1125P/1110P/1110S



#### NEMA L14-30R

Dedicated 208 VAC (+/- 10%)  
 30amp Maximum  
 60Hertz Single Phase  
 4-Wire Dedicated Ground

Applicable Digital QC Device  
 208Volt Single Phase 30A  
 Item #1338V911



iP1135/1125/1110 Main Unit Requires 1 NEMA L14-30R



#### NEMA 6-15R

Dedicated 208 VAC +/- 10%  
 15 Amps Maximum  
 60 Hertz Single Phase  
 3 Wire Dedicated Ground

Applicable Digital QC Device  
 208Volt 15Amp  
 Item #0287V677

imagePRESS 1135/1125/1110

Main Unit 208V NEMA 6-15R

Perfect Binder-C1 208V NEMA 6-15R

iP1135/1125/1110 Main Unit Requires 1 NEMA 6-15R



#### NEMA 5-15R

Dedicated 115 VAC +/- 10%  
 15 Amps Maximum  
 60 Hertz Single Phase  
 3 Wire Dedicated Ground

Applicable Digital QC Device  
 120Volt 15Amp  
 Item #0287V675

imagePRESS1135/1125/1110 Accessories  
 require a separate 115V NEMA 5-15R

POD-C1

Secondary POD-C1 #1 & #2

Multi-Insertion Unit-A1

Professional Puncher Integration Unit-A1

High Capacity Stacker-E1 #1

Finisher-AF1 / Saddle Finisher-AF2

Finisher-AG1 / Saddle Finisher-AG2

Document Insertion Unit-F1

(if iP1135/1125/1110 has an imagePRESS Server  
 J100/J200 it will need a separate NEMA 5-15R)



### imageRUNNER ADVANCE C2030/C2020/C2225 C2230



#### **NEMA 5-15R**

Dedicated 115 VAC +/- 10%  
15 Amps Maximum  
60 Hertz Single Phase  
3 Wire Dedicated Ground

Applicable Digital QC Device  
120Volt 15Amp  
Item #0287V675







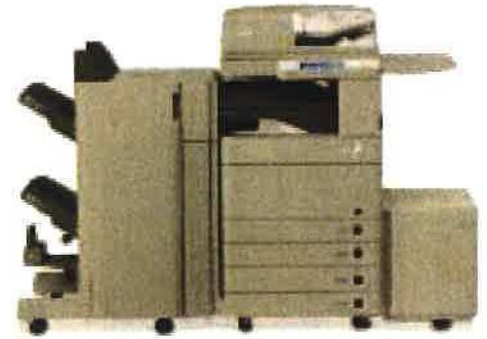
### imageRUNNER ADVANCE C5035/C5030 C5235/5240



#### NEMA 5-15R

Dedicated 115 VAC +/- 10%  
15 Amps Maximum  
60 Hertz Single Phase  
3 Wire Dedicated Ground

Applicable Digital QC Device  
120Volt 15Amp  
Item #0287V675



imageRUNNER ADVANCE C5035/C5030

has an imagePASS-B1 which will require a separate NEMA 5-15 R

### imageRUNNER ADVANCE C5051/C5045 C5250/5255



NEMA 5-20P



#### NEMA 5-20R

Dedicated 115 VAC +/- 10%  
20 Amps Maximum  
60 Hertz Single Phase  
3 Wire Dedicated Ground

Applicable Digital QC Device  
120Volt 20Amp  
Item #0287V676



imageRUNNER ADVANCE C5045

has a imagePASS-B1 which will require a separate NEMA 5-15 R

imageRUNNER ADVANCE C5051  
has an imagePASS-B1 or ColorPASS  
GX300 which will require a separate  
NEMA 5-15 R



## imageRUNNER ADVANCE C7065/C7055 C7270/7260



NEMA 5-20P



### NEMA 5-20R

Dedicated 115 VAC +/- 10%  
20 Amps Maximum  
60 Hertz Single Phase  
3 Wire Dedicated Ground

Applicable Digital QC Device  
120Volt 20Amp  
Item #0287V676



imageRUNNER ADVANCE C7065/C7055  
Accessories require a separate NEMA 5-15R

POD Deck Lite-A1  
Document Insertion Unit-J1  
Document Insertion/Folding Unit-G1

iRA C7065/C7055 has an imagePASS-A1  
or ColorPASS GX300 which will require a  
separate NEMA 5-15 R



## imageRUNNER ADVANCE C9075/C9065 C9270/9280



### NEMA 6-15R

Dedicated 208 VAC +/- 10%  
15 Amps Maximum  
60 Hertz Single Phase  
3 Wire Dedicated Ground

Applicable Digital QC Device  
208Volt 15Amp  
Item #0287V677



imageRUNNER ADVANCE C9075/C9065  
Accessories require a separate NEMA 5-15R

POD Deck Lite-A1  
Multi Drawer Paper Deck-A1  
Document Insertion Unit-H1  
Paper Folding Unit-G1  
Staple Finisher-A1  
Booklet Finisher-A1  
Professional Puncher-C1 w/Integration Unit

iRA C9075/C9065 has an imagePASS-A1 or  
ColorPASS GX300 which will require a  
separate NEMA 5-15 R



## imageRUNNER ADVANCE 6055/6065/6075 6255/6265/6275



NEMA 5-20P



### NEMA 5-20R

Dedicated 115 VAC +/- 10%  
20 Amps Maximum  
60 Hertz Single Phase  
3 Wire Dedicated Ground



Applicable Digital QC Device  
120Volt 20Amp  
Item #0287V676

imageRUNNER ADVANCE 6055/6065/6075  
Accessories require a separate NEMA 5-15R

Document Insertion/Folding Unit-H1



iRAAdv 6055/6065/6075 has an  
imagePASS-UI which will require a separate  
NEMA 5-15 R

## imageRUNNER ADVANCE 8105/8095/8085 8205/8295/8285



NEMA 5-20P



### NEMA 5-20R

Dedicated 115 VAC +/- 10%  
20 Amps Maximum  
60 Hertz Single Phase  
3 Wire Dedicated Ground



Applicable Digital QC Device  
120Volt 20Amp  
Item #0287V676

imageRUNNER ADVANCE 8105/8095/8086  
Accessories require a separate NEMA 5-15R

Document Insertion Unit-K1  
Paper Folding Unit-H1  
Staple Finisher-D1  
Booklet Finisher-D1  
POD Deck Lite-A1  
Professional Puncher-C1 w/Integration Unit-B1

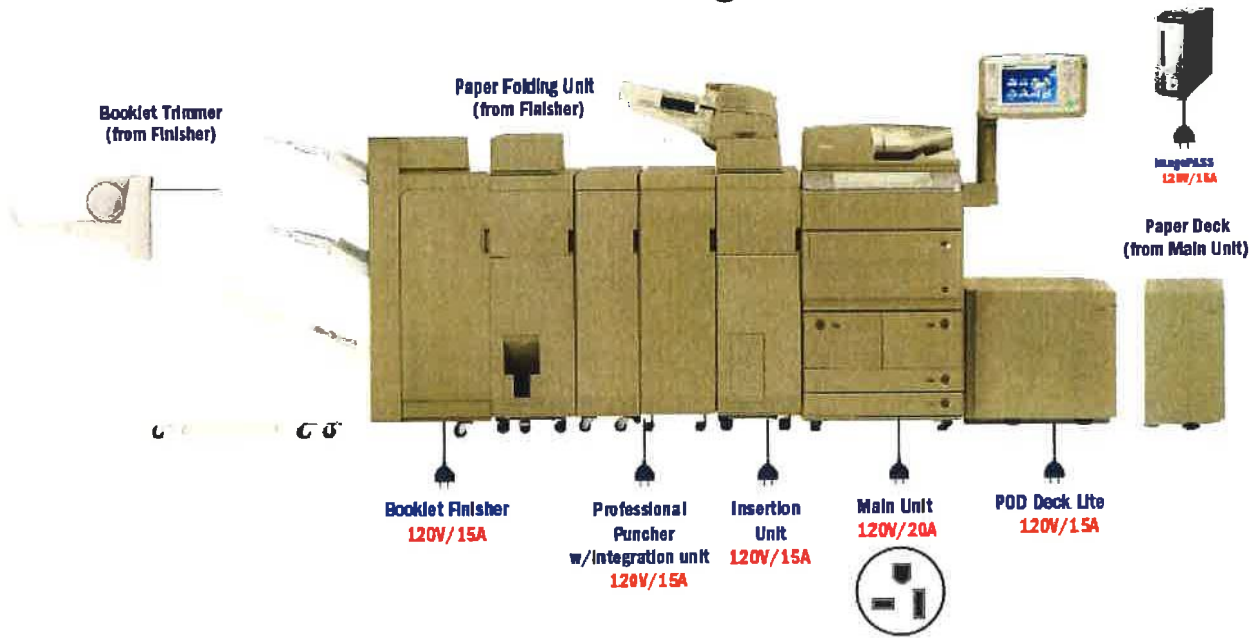


iRAAdv 8105/8095/8086 has an  
imagePASS-UI which will require a separate  
NEMA 5-15 R



## imageRUNNER ADVANCE 8105/8095/8085/8205/8295/8285

### New Arcnet Finishing Accessories



## Main Unit Power



**NEMA 5-20R**  
 Dedicated 115 VAC +/- 10%  
 20 Amps Maximum  
 60 Hertz Single Phase  
 3 Wire Dedicated Ground

Applicable Digital QC Device  
 120Volt20Amp  
 Item # 0287V676



imageRUNNER ADVANCE 8105/8095/8086 Accessories require a separate NEMA 5-15R

- Document Insertion Unit-K1
- Paper Folding Unit-H1
- Booklet Finisher-F1 Pro
- POD Deck Lite-A1
- Professional Puncher-C1 w/Integration Unit-B1

iRAdv 8105/8095/8086 has an imagePASS-U1 which will require a separate NEMA 5-15 R